



San Diego Woodturners

Proud Founders of the Turn-Around-for-Vets (TAV) Program



Volume 2021 Number 12

December 2021

9984 Scripps Ranch Blvd #198, San Diego, CA 92131

www.sdwt.org

This month at SDWT:



December 11th, 10 AM to 1 PM, See Details on Page 7.

Contents:

| | | | | | |
|---------------------------------|----|-----------------------------|----|------------------------|----|
| <i>Shavings...from the Prez</i> | 2 | <i>Membership Form</i> | 15 | <i>Rockler Coupon</i> | 24 |
| <i>Calendar of Events</i> | 7 | <i>From the Webmaster</i> | 16 | <i>Mentors</i> | 25 |
| <i>"Drop-In"</i> | 8 | <i>Instant Gallery</i> | 17 | <i>Board/Committee</i> | |
| <i>Volunteers Needed</i> | 9 | <i>Wood Resources</i> | 18 | <i>Members</i> | 26 |
| <i>Scam Alert Reminder</i> | 11 | <i>DVD Info</i> | 19 | <i>Cut-offs</i> | 27 |
| <i>TAV Update</i> | 12 | <i>Resources</i> | 20 | | |
| <i>Member "Chips"</i> | 14 | <i>Virtual Demo's (AAW)</i> | 21 | | |



Brian Saunders

SHAVINGS

from the Prez . . .

On November 20, we held our second in-person meeting at Nottingham Center for the Arts since the pandemic lockdown. It was also our first hybrid meeting that originated from Nottingham. I am estimating that we had about 35 to 40 folks at Nottingham and 43 participants on Zoom. There were a few technical problems. We were unable to put Zoom participants on the big screen TVs. There were also some audio issues at the beginning of the Business Meeting. The A/V Committee is working on these issues so please bear with us. Sally and Karen did an excellent demonstration, and the recordings are in the "Members Only" section of our website.

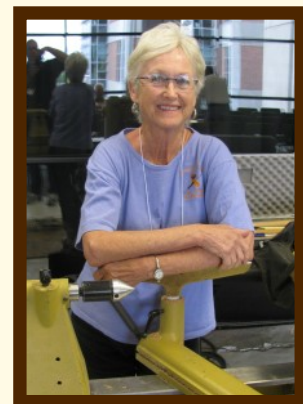
Meet Our New Leaders:

Dave John and Sally Ault were elected unanimously as President and Vice President of our club!

Dave is an excellent wood turner and superb editor of our Newsletter.



Sally is a creative artist, excellent wood turner and our Program Chair.



Congratulations!

Thank You to outgoing Vice President, Karen Freitas:

Karen has done so much for our club that the list is too long to mention! I want to thank her for her help and support during the past three challenging years!

Thanks as well to the SDWT Officers and Board members along with all the Committee Chairs that keep this Club going.

(Continued next page)

(Shavings Continued)

COVID-19:

Vaccination rates in San Diego continue to rise and many of us are receiving our booster shots. Infection rates, hospitalizations and deaths are decreasing. Most of the infections, hospitalizations and deaths are unvaccinated people.

HOWEVER, the virus is still out there! Fully vaccinated folks CAN become infected and while these infections are usually mild, they can be severe and even deadly, especially among the elderly, diabetic and immunocompromised (Many members of our club fall into these categories). __As I write this issue of Shavings, a new COVID mutant has been identified, the Omicron variant. This mutation seems to be highly contagious, and it is not yet known how well the current vaccines work against it. To date, this mutation has not been detected in the USA, but has been found in the UK, Canada, Germany, Italy, Israel, and South Africa to name a few. It is only a matter of a short time before it will be detected here.

Please do NOT let your guard down!

Most folks in the meeting room on November 20th wore masks, **THANK YOU!**

I again ask that all folks wear a mask, anywhere in public indoors and at our future in-person meetings!

Congratulations to Our New Board Members:

Ernesto Aquino

Andy Boyer

Steve Frick

Carolyn Jones

Motoko Smith

SAFETY: Preventing Small Part Choking Hazards:

The holiday season is a time when we make gifts for family members and friends. As we do this, we must keep child safety in mind.

Infants and young children explore their world with their mouths. They put the darnedest things in their mouths and are very susceptible to choking on small items. Choking has long been a leading cause of toy related deaths in young children. Each year the US Consumer Product Safety Commission (CPSC) receives about 15 reports of choking deaths to infants and children under 3 years of age and many more are injured. And sadly, most of these episodes are preventable.

What object that is too small for an infant or child under 3 years of age? The US Consumer Products Safety Commission defines 'small part' as any object that completely fits into a specifically designed test cylinder 2.25 inches (6 cm) long

(continued next page) ■

(Shavings Continued)

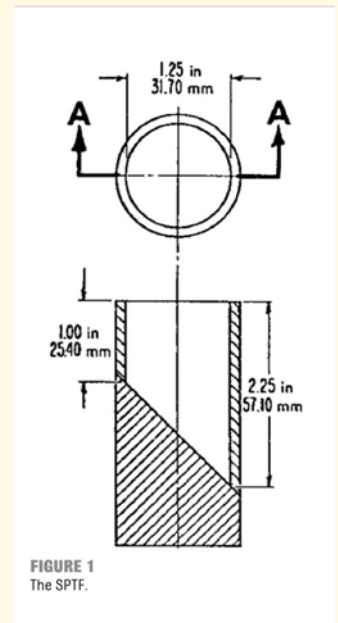
and 1.25 (3.5 cm) inches wide (Choke Testing Tube). These dimensions approximate the size of the throat of a child under 3 years of age.

AAW | AMERICAN ASSOCIATION
OF WOODTURNERS

A Word About Toy Safety

Ensure that your dolls are safe for young children to play with. Information about toy safety is available from the U.S. Consumer Product Safety Commission (cpsc.gov). Another resource is KidsHealth.org. Generally, imagine what a curious, clever child might do, and take steps accordingly. Make each doll as safe and strong as possible. Here are some factors to consider:

- Ensure any small additions/accessories such as buttons are secure and cannot be removed.
- Ensure metal components, especially rare-earth magnets, are absolutely secure and cannot be removed.
- Choose child-friendly, nontoxic finishes.
- Take steps to safeguard against choking hazards for small children. KidsHealth.org advises, "Toys should be large enough—at least 1¼" (32mm) in diameter and 2¼" (6cm) in length—so that they can't be swallowed or lodged in the windpipe. A small-parts tester, or choke tube, can determine if a toy is too small. These tubes are designed to be about the same diameter as a child's windpipe. If an object fits inside the tube, then it's too small for a young child. If you can't find a choke tube, ask a salesperson for help or use a toilet paper roll tube."



For a 3-year-old or younger, the minimum size of a ball is 1.75 inches (4.5 cm). Many experts feel that the minimum width for any object given to a young child should be at least 1.75 inches (4.5 cm).

I think that a standard toilet paper tube, about 1 ¾ inches (4.5 cm), is a better tester for safe size of an object. If it fits inside the toilet paper tube, it is small enough for a child less than 3 years of age to accidentally inhale, choke and possibly die. Do NOT make tiny items for young children.

(continued next page)

(Shavings Continued)

In Summary, to be safe for young children three years old and younger:

- *No sharp ends.
- *No loose small parts.
- *No small parts that can be pulled or broken off.
- *No parts that can pinch.
- *No strings longer than 7 inches (18 cm).
- *No antique toys before 1978 (risk of lead paint).
- *All colors and finishes labeled “Child Safe”.
- *Balls--a minimum of 1 ¾ inch (4.5 cm) in diameter.
- *All toys at least 1 ¾ inches (4.5 cm) wide and at least 2.25 inches (6 cm) long. Use a toilet paper tube as a minimum size guide.

SAFETY: Check your Smoke Detectors and Fire Extinguishers!

On November 7, 2021, California joined most of the nation to “fall back” into Standard Time. While I wish that the entire country stayed with one time all year long like Hawaii and parts of Arizona, this extra hour we gain represents a good time to change the batteries in our smoke detectors and to check that our smoke detectors are in date and to check our fire extinguishers. If you haven’t done this already, please do it now. Make sure that you and all members of your household know where your fire extinguishers are and how to use them.

Membership Renewal Time:

It’s membership renewal time! Please renew your membership now. It’s easy! To renew go to our website ‘sdwt.org’ or mail a check for \$50.00 to our treasurer or bring a check to one of our meetings.

SDWT Holiday Party

SDWT Holiday Party Saturday, December 11, 2021, set-up beginning at 09:00 and party starting at 10:00. Bring a food dish to share and a wood turning related gift for the gift exchange. In-person party only, no Zoom. Please look for announcements in this Newsletter and in e-Blasts. We are asking for RSVPs, so we know how to plan.

Drop-in-Saturdays:

We try to schedule Drop-in-Saturdays twice a month. But we do not have enough volunteers to do this on a regular basis. Roman Scheidel is leading this excellent program and needs assistance. Please contact Roman to volunteer. We really need your help!

(continued next page)

(Shavings Continued)

San Diego County Fair:

We are anticipating a return to a “normal” San Diego County Fair in 2022! After a 2-year hiatus Design in Wood is coming back. I will send out updates and details as I receive them.

I anticipate that we will be running our turning booth at Design in Wood as we have in the past. This is a major fundraiser for the club, and it is important that we have a stock of spinning tops and pens made in advance. We are asking members to make tops and pens for the fair. Please see Steve Frick for top blanks.

Also, we will need to staff the SDWT Booth during the fair so please plan to volunteer.

We will need Volunteers!

Bud Vases for Lumbercycle:

Tom Hamilton of Lumbercycle is an important supporter of our club. Tom has asked that we provide some small to medium sized turned bud vases for Lumbercycle. Please make some bud vases for Tom. When completed, please contact Paul Simpson or Brian.

Stay safe and have fun woodturning!

**Happy Hanukkah! Merry Christmas! Wishing you a blessed
Kwanzaa! Happy Boxing Day! And HAPPY NEW YEAR!**

Brian



SDWT Demonstration/Event Schedule for 2021



I hope you are all staying well. We are blessed to have such a wonderful pastime to keep us busy while we are not able to get together in person.

Our program schedule will continue with likely "Hybrid" demo's of both in-person and Zoom for the foreseeable future. Look for a variety of demonstrations forthcoming in the New Year.

Sally

P.S.: On the Horizon: **Jan:** Tom Edwards, **Feb:** Stuart Batty Demo & classes.

Class Seats for Stuart Batty still open for 2 day (\$250) and 3 Day (\$375). After Demo in Feb. **If interested email Sally soonest.**

The Annual SDWT Holiday/Christmas Party will be held on **11 December**. It is going to be a Great time with Food, Fun, camaraderie, and Woodturned item gift exchange as a highlighted event of the festivity.

Time: 10 AM to 1 PM

When: **11 December, 2019**

Where: Nottingham Arts Cntr, San Marcos

What to bring:



1) As this is a Potluck Lunch affair, bring something yummy for 10 to share (desert or entrée or both) and a big appetite.

2) For those desiring to participate in the Woodturned item gift exchange, bring an unmarked, wrapped or bagged woodturned item, or something related to woodturning.

Paper Plates/Utensils/Hot Apple Cider, Coffee & Water to be provided.

Other Info: Spouses/Significant Other are all Very Welcome.

P.S. Those that bring their own Turned Plate receive head-of-the line privilege.

What will be different this year is I am asking for an RSVP so I can get an idea of how many will be in attendance. Please send me an email confirming how many will be attending to kfreitas1@cox.net.

Related; If you have any extra turnings or Torrey Pine turnings, please bring them for the TAV donations. SDWT/TAV will be going to the Encinitas Quail Botanical Gardens Holiday week and are expecting a large crowd and TAV needs items such as pens, turned boxes, bowls of any size and shape to present for donations to our own TAV program.

I hope to see a lot of smiling faces and have a good time. See you on the 11th! **Karen**

“Drop-In Saturdays”



For inquiries please contact : Roman.Scheidel@live.com
Roman is also looking for help; experienced turners to help and extra hands to move things around.

The idea behind “Drop in Sessions” is to set up a shop environment of collaboration and a place to receive assistance in answering your turning questions or help with a technique.

Our days are typically the **2nd and 4th Saturday of the Month**. 8:30 am to 12:00 pm
San Marcos, Nottingham Arts Center.

(No Drop-In Session in December. Our sessions will return in January 2022. See you then and Happy Hoidays)

Roman

Up to 8 midi lathes will be available on a first come first served basis.

Participants must be members of San Diego Woodturners Club (SDWT) in good standing. Members under the age of 18 years may participate with parental permission and a parent or guardian must be present.

Participants are expected to help with set-up at the beginning of class and clean-up at the end of class.

Safety is ALWAYS a Priority!



- Please remember: Safety is Priority. Only SDWT members using machines
- Bring your own tools, wood and eye protection. (There may be the odd piece of wood around if needed)
- Depending on the number of participants, be prepared to collaborate, which means to work together.

HELP! Your Club needs Volunteers!

While COVID-19 is still a significant factor, Many club activities are resuming. San Diego Woodturners, YOUR club, needs volunteers. Specifically, we need volunteers for:

Turn Around for Vets (TAV). Volunteers are needed to staff Wednesday mornings from 08:00 until 1:00 PM at the VA Aspire PTSD Rehab Center in Old Town

TAV needs volunteers to staff Thursdays at the Naval Medical Center, San Diego from 09:30 until 1:00 PM

Volunteers will be needed for TAV at Camp Pendleton Wounded Warrior Battalion when it re-opens soon.

TAV Chairman, Paul Simpson, needs items for the gift stores. Pens, Christmas ornaments, bowls, tops, etc. are needed. The sale of these items helps to support TAV.

Please contact Paul Simpson. Check in the Members Only area for his email address and phone number.

Drop-In-Saturdays: Drop-in-Saturdays have resumed under the leadership of **Roman Schiedel** and are a resounding success. Roman can't do it all alone. Roman needs help! Please contact Roman. See Members Only area for his email address and phone number

Assist our Treasurer: Our treasurer needs help. Please contact Geri Gabriel or Brian Saunders. Ditto: their email addresses and numbers are in the Members Only area.

Wood Program: While the Wood Program has been relatively dormant during COVID, some activities have continued. We have re-opened and the Wood Program is becoming more active and needs volunteers. Please contact **Chad LaVoi** and Dan White to join the team. You know the drill by now: their numbers are in the Members Only area

A/V Zoom Committee: Your A/V Zoom Committee, under the leadership of **Andy Boyer**, has made significant improvements to our cameras and equipment at Nottingham and is in the process of installing and testing the new equipment. The A/V Zoom Committee has also developed the capability to stream meetings to and from Nottingham. A robust team of volunteers are needed to set up and operate the equipment and internet connection during meetings. We cannot expect 2 or 3 people to be able to operate the equipment at all meetings. Please contact Andy Boyer—info in the Member's Only area, of course.

We have reopened to in-person meetings at Nottingham. We need volunteers to set-up for meetings, take down at the end of meetings and clean up. We hope that the San Diego County Fair will be able to fully re-open in 2022, and that Design in Wood will return, and we will need a lot of volunteers!

During COVID-19 a lot of businesses and organizations were closed or curtailed, and a lot of employees worked from home or were laid off

As the economy re-opened a strange phenomenon has occurred. There has been a great difficulty in getting folks to return to work. Even in states that have stopped unemployment benefits, folks are not returning to work. Politicians and experts do not understand what is happening in the jobs market.

Most of SDWT's activities were also shut down during COVID Lockdown. **(I must thank the small, dedicated group of volunteers who developed our Zoom and virtual meeting capability, our excellent virtual content and kept your club running during the pandemic).**

As we re-open, we are experiencing a similar phenomenon to the business community, with fewer volunteers returning and our ability to staff TAV and carryout other club activities is in serious jeopardy!

Volunteerism:

Our (your) club is run by member volunteers! We do not have employees, and no one is paid a penny. Surveys have shown that as many as 80% of adults surveyed say they would like to volunteer, yet in fact only about 20% or so of a club or organization actually volunteer! Why is that? What are the barriers to volunteering?

Lack of free time is frequently given as a reason: Let us know your time issues and we may be able to work around your schedule.

Inflexible scheduled times for volunteer activities (TAV for example): Again, contact us. We recently changed the day for TAV at the Naval Hospital to better accommodate our volunteer schedules.

“No one asked me”: **Well, I'm asking you now!** Please consider this a personal invitation to volunteer. Contact one of the coordinators listed above or Brian.

Lack of confidence: I frequently hear lack of confidence in one's abilities given as a reason for not volunteering. “I'm not good enough, etc.” Volunteers do NOT volunteer alone! When one volunteers for TAV or the A/V Zoom Committee for example, one does not have to be a professional wood turner or an A/V expert. You will be joining a dedicated team of volunteers. You will learn, you will get better and you will have fun!

Volunteerism is a two-way street! Volunteers give of their time and talents and receive many blessings in return. Many volunteers report that they feel that they receive more than they give!

Volunteering allows us to better connect with our club and the wood turning community.

Volunteering to help at Drop-In-Saturdays and/or TAV will make you a better turner while you help others. Volunteers learn new things and new ways to do things and make new friends and contacts.

Volunteering is good for your mind and body: Volunteerism combats depression, prevents social isolation and provides a support system. Volunteering helps us stay physically and mentally healthy. Volunteering is FUN!

Volunteerism and the “Happiness Effect”: Study after study has shown that folks who volunteer report that helping others makes them happy. The more you volunteer, the happier volunteers are.

Volunteers are Happier and Live Longer: Study after study has shown that volunteers are happier, less depressed, less isolated and live significantly longer than comparable folks that do not volunteer.

So **PLEASE**, roll up your sleeves and volunteer. You really will be happier and healthier for doing it. Contact one of our volunteer coordinators or club officers. Don't wait! Do it now!

Reminder to All SDWT Members



Beginning in 2018, cybercriminals attacked SDWT club officers by using information obtained from our website. Since we have removed contact information from the public areas of our website and increased fraud awareness, these attacks have subsided. However, these criminals are sophisticated and change their tactics frequently and continue with their attacks.

In addition to direct attacks against our club, new scams are being reported involving tax filing delays, tax refunds, Social Security, the Census, COVID-19 Economic Impact Checks, and COVID-19. These scams involve phishing emails, robocalls and even people coming to our homes to sell non-existent vaccinations, medicines and tests. Be vigilant! Maintain a high level of suspicion!

DO NOT RESPOND TO ROBOCALLS OR CLICK LINKS THAT YOU DO NOT RECOGNIZE!

We must all have a high level of suspicion concerning any request for money, gift cards, banking information, credit card information, PayPal information, crypto currency, etc. and always keep our guard up!

SDWT will NEVER:

Send an email asking anyone to send or email gift cards or cryptocurrency.

Send an email asking for money or payment, **EXCEPT** for a class that you have signed up for, and then only send a check for the fee to the treasurer at our club's address. SDWT will never ask for gift cards or cryptocurrency to pay for classes.

PayPal is used for membership, and for donations.

REMEMBER, cyber criminals are very sophisticated and even the experts can be fooled!

If in doubt, ALWAYS call the treasurer, president or a club officer using the contact information found in the Members Only section of the SDWT website!

Turn Around for Veterans (TAV)

Chairman: **Paul Simpson** .



Turn Around for Vets (TAV) is a critical program of the San Diego Woodturners Club. All TAV activities are carried out by a dedicated, unpaid group of volunteers so that 100% of donated funds, designated for TAV, are used to purchase supplies and equipment and to support the program.



Paul (TAV Committee Chairman)

November was a busy month for TAV. We continued weekly instruction at Aspire and Naval Medical Center. I talked with Maj. Cadorette Monday, November 29, and there is still no definitive answer on when the approval will come through. The Wounded Warrior Barracks have put so much pressure on the Regiment staff that they have been ordered to quit calling. Apparently the paperwork is “two steps up the chain of command” and stuck, along with the same type of paperwork from some other charities.

I went to the Torrey Pines Gift Shop November 22 and once again they chose nearly everything we had available. Several SDWT members donated their time and effort to produce beautiful work. I received the following via text from one of the docents:

Just an FYI: One woman came in and we hadn't even finished tagging the items and bought 11, yes, eleven bowls. She said her holiday shopping was done. Docents also came after finishing weeding and another 4 or 5 items were gone.”

Tom Hamilton of Lumbercycle invited Paul Simpson and Dan White to come to their Ramona sawmill site and pick up fresh Torrey Pine. Tom was hosting a field trip of 30 woodworking students from Oceanside High School. He explained his entire operation and demonstrated how slabs are kiln dried and then cut into lumber and slabs using his various sawmills. The log used in the demonstration was Torrey Pine. Paul did a presentation on TAV and showed the instructional progression from square pen blanks to finished pens, plus sample kitchen utensils with turned handles and bowls. The students were very interested in this presentation because their shop has recently acquired lathes. Paul provided their teacher with a supply of Torrey Pine pen blanks to get them started.

Bob Taylor from Taylor Guitars has donated 1,000 ebony pen blanks to TAV. Each blank is approximately 7/8” square and 4” long. That makes them perfect for pens that only require one center wood piece. They would also be excellent for short finials. Or 2 pieces would complete a Slimline style pen. Blanks will be available at SDWT meetings for a suggested donation of \$2/blank. If you decide to acquire 4 or more blanks for your personal use, Paul will offer you 2 additional blanks plus a Slimline pen kit for you to turn a pen for TAV.

(continued next page)



San Diego Woodturners Demonstration at San Diego Botanic Garden Winter Wonderland

On Wednesday, November 3, Paul Simpson received a phone call from the San Diego Botanic Garden requesting that San Diego Woodturners set up a booth during their Winter Wonderland event in December. SDWT had a booth during their last event in December 2019, and previous years. This has been very successful for our club and the Botanic Garden. We will be set up in the same location as 2019, close to Santa Clause and the restrooms, which is a very high traffic area. This is an excellent opportunity to present SDWT and the TAV program to the public. It will also be a good chance to practice our presentation skills prior to the Del Mar fair.

We will have 2 or 3 Delta lathes in operation plus tables to display items available for donations. Tops will be the primary items to turn but we will also do some Christmas Trees, Snow Men and other goodies.

We have 4 or 5 volunteers signed up to set up the booth on December 7 and staff the booth on December 8 (special event), 10,11,12, 17,18 and 19. I encourage all SDWT members to consider attending for a family night out and to see our booth in action.

Merry Christmas and Happy Holidays! to everyone.

Paul

If you're doing your Christmas Shopping and purchases are via Amazon, consider Amazon's donation program as outlined on the right.

Merry Christmas!!

Do you shop at Amazon?



Earn cash donations for San Diego Woodturners in four easy steps by shopping at Amazon Smile:

1. Log onto **smile.amazon.com**
2. Type in San Diego Woodturners Incorporated under "pick your own charitable organization"
3. Click on "Search"
4. "Select" San Diego Woodturners Incorporated to start earning 0.5% from Amazon Smile on eligible purchases for our club.

It's that EASY! **There is no charge to you or SDWT and you are still eligible for your Amazon Prime perks.**

Remember to shop at smile.amazon.com to generate Amazon Smile donations for SDWT!



Member-"Chips"



Hello San Diego Woodturners

SDWT 2021: 212 members.

The SDWT Holiday Party is December 11th (that's the 2nd Saturday) at Nottingham for our Christmas get-together. It would be a great time to renew if you haven't already, please bring a check filled out to SDWT for \$50. That way we can process your membership as quickly as possible.

As a reminder, Karen has sent out an email blast and has asked for an RSVP so appropriate set up and logistics can be planned for.

See page 7 of this on details for the Party.

. If you're already a member, consider also joining AAW. If you think our resources are great, you will no doubt benefit from their pool of knowledge. Check them out at www.woodturner.org

Remember that as a paid member, you have access to the [SDWT Members facebook group](#) I hope you decide to join the group, it's a very simple way of interacting with other members of the club.

If you are an existing member interested in one of the new wooden badges, the cost will be \$7 per badge and it will include your choice of either magnet or pin attachment. If you need either an extra pin or magnet, those will be \$1. (Suspended for a bit, please be patient)

If you have any questions or you think you might be missing club emails. Let us know either in [SDWT Members](#) or membership@sdwt.org

Thank you,

Esther Assemat (Membership Committee Chair)

Questions: Contact me at Membership@sdwt.org

Merry Christmas and Happy New Year!



San Diego
Woodturners

A chapter of the American Association of Wood Turners



Membership Form

SDWT membership is \$50.00 per calendar year. To become a member, complete this form and a check to SDWT. Send to the address below or bring it to any SDWT meeting, go to (www.sdwt.org) for our meeting time and location. If you have any questions, please contact us at (info@sdwt.org)

Date _____

Name _____

Address _____

City _____ State _____ Zip _____

Phone # _____

Email _____

Our membership allows our club to hold monthly meetings, enjoy refreshments, watch expert demonstrations and participate in classes. As a member, you will have access to woodturning supplies, video library, wood resources and mentorship.

Check out our website at www.sdwt.org

San Diego Woodturners
9984 Scripps Ranch Blvd. #198
San Diego, Ca. 92131

From the SDWT WEBMASTER

Zoom meeting recordings are available for MEMBERS ONLY on our website

Be sure to also catch the "Show & Tell" during the Social Time and the informative Business meeting before the DEMO. Esther added a Premeeting Show at the beginning of social time recording that you do not want to miss.

If you are short of time or looking for specific information, be sure to check out the "Timestamps" in the description area of all Zoom meeting videos. They allow you to quickly click and jump to the specific topics.

You will find all of this on the password required "Members Only" webpage under "Zoom Recordings" Latest Recordings as follows:

Sally and Karen/ "Dirty Pour" & Bowl

Emilia Achaval / Calabash Bowl

Mike Mahoney - Various Turning Topics/Q&A

Trent Bosch - Faceted Hollow Form

Eric Lofstrom - End Grain Bowls

Michael Dresdner, Wood Finishing for Woodturners

Turning Finials, Cindy Drozda

Turning a Box w/Pewter, Pat Carroll

Mark Making with Power, Linda Ferber



20 Nov Instant Gallery Display





As members of the San Diego Woodturners, you may come across an opportunity for us to add to our wood inventory and made available to our membership at nominal cost.

If you hear of anyone needing to move wood off their property please give me a call **Dan White or Chad LaVoi** (see members only tab (membership directory for contact info or send an email to GotWood@sdwt.org) .



Looking for some wood for your next turning project. Look no further then your Club wood lot at Nottingham Center for the Arts. I'll be available at our next in-person meeting January **15th** to cut your special piece of wood to your size specified and wood selected. Wood is priced at a reduced cost for member donation. Thanks for your support.

I am also looking for **Volunteers** for the Wood Crew around the lot and for picking up wood around the County when opportunity presents itself. All for the benefit of you the members. I would very much appreciate your assistance and Thanks ahead of time. My contact info is in the Members Only Tab of our SDWT Web site (Member Directory).

Wishing you and your Family; Merry Christmas & Happy New Year!

All for Now.....**Chad**

Raffle

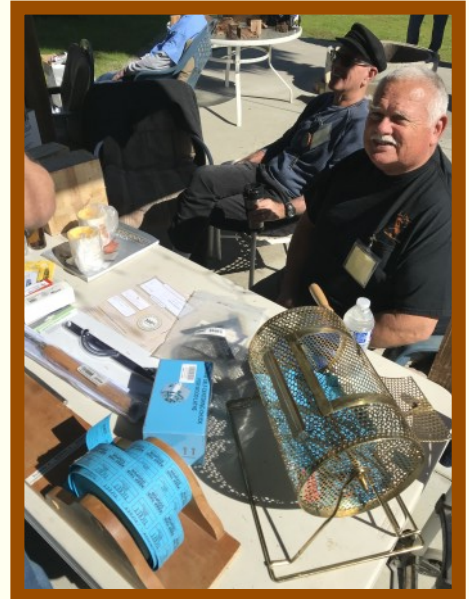
The Raffle program has returned at Nottingham. Ticket Price remains the same and I will have various items on hand to Raffle for those attending at our next in-person meeting.

In addition, if you're looking for some help, our mentors are available to answer questions. Give them a call (Phone # via Member Directory).

Be safe in you shop and otherwise. Wishing you all:

Merry Christmas and Happy New Year

**Jeff Neff - Raffle Committee and Mentor
Chairman.**



From the DVD & New Book Library

Hi All

New to our library of wood turning DVD's is the establishment of a Woodturning Book Lending Library to compliment our DVD's on woodturning. Donations of **Woodturning Books** to enhance our knowledge library on wood turning is sought from you the members.

Book donations are to be woodturning related. If you have some books that your are thinking of discarding, consider a donation to SDWT and bring to the November or at one of our subsequent meetings.

Check-out and in process for books will be similar as for DVD's with (2 book (max) check out and return the following meeting).

Books donated to date will be available at our November meeting. Compliments of Oskar Kirstan and Dan White and their generous donation. **THANK YOU!**

See you then and be sure to stop by to check out our beginning collection of woodturning books

Carolyn

And to All: **Merry Christmas and Happy New Year!! Be Safe.**



Resources

Tropical Exotic Hardwoods

2270 Camino Vida Roble site "B"
Carlsbad, CA 92008 (760-434-3030)

North County Tools

955-A Rancheros Drive
San Marcos, CA 92069 (760-743-2004)

Enviro-Safety Products (No discount)

516 E. Modoc Ave.
Visalia, CA 93292—7630
(800) 637-6606

Rockler

8199 Claremont Mesa Blvd
San Diego, CA 92111 (858 268-1005)

The Hardwood & Hardware Co

8849 Complex Dr
San Diego, CA 92126
(858 - 536-1800)

Woodworker West

PO Box 452058
Los Angeles, CA 90045
(310) 216 - 9265

Tool Depot

3464 Pickett St
San Diego, CA (619) 220 - 7111
1655 Broadway #13
Chula Vista, CA (619) 585-800

SD Urban Timber

922 Industrial Blvd
Chula Vista, CA 91911
619-207-4084 (sdurbantimber.com)

American Furniture Design

Ben MatteTung Oil can be purchased here

2243 Mountain View Dr.
Escondido, CA
(760) 743-6923

Fix My Batteries

1291 Simpson Way #F
Escondido, CA 92029
(760) 747-8762
Josh Zeller, owner
10% discount on products and battery rebuilds

Bennett Crone Lumber and Ply-wood, Inc.

1202 Piper Ranch Rd
San Diego, CA 92154
619-661-0667
(Bennettcrone.com)



SDWT Members supported ROCKLER's recent "Support for Vets" Program turning 7m Pens. **Dave John** (L) along with **Jennifer and Ben Andres** (Red & Blue shirt (R)). Rockler customers who supported the event paid a fee for the Pen class and turning. Proceeds go towards Vet Programs from ROCKLER. Approximately 40 new turners signed up for the class held on Sat, 13 Nov..

AAW Virtual Demonstration's

AAW posts on their website for members (www.woodturner.org) via the "Watch Live Demonstrations Online: via **AAW's remote demonstration (IRD's) event calendar Tab**: Here's a listing for quick reference of the forthcoming Line-up: (Fee typically required and sign-up required):

- December 8: 01:00PM (ET), **Ornaments and Finials**, Cindy Drozda, \$20
- December 9th, 7pm-9pm (ET) Hollow Form w/NE Opening with Lyle Jamison
\$12.95
- December 11th, 12 PM-3PM (ET) 12 Turnings of Christmas Six Turners, \$30
- December 12th, 7PM-9PM (ET), Simple Holiday Gifts, Scott Hampton, \$12
- December 18th 7PM—9PM (ET) Oxidation Finish w/Chris Parker, \$14.
- December 28th 8PM-10PM (ET) Piston Box, w/Todd Raines, \$12

Continue to check the AAW site "Remote Demo Tab" as IRD's are added.

Other sites to check-out:

- One other option: [RECORD POWER](http://RECORDPOWER) has returned with its weekly demonstrations. Send an email to miked@recordpower.co.uk and ask to be included in the mailing list for demonstration updates. You will then recv a reply with login info, etc.. Virtual demonstrations typically have gone on Tues or Weds at 4:30 pm. (PST) Free

-San Diego Fine Woodworkers (SDFWA.org) provides various on-line demo's. Ck them out as well as view other items that may be of interest

- CRAFTSUPPLYUSA.com continues the beginning woodturning series by Kirk Deheer. Go to craftsupplyusa.com and tap on the "woodturning 101 video series". Other demo's to see as well on the website. ([go to YOUTUBE and type Craftsupplyusa101 in search block](#)) Most recent video (#9) is turning a **Goblet**.



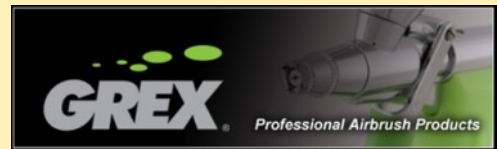
Footnote: [Woodturners Worldwide \(WW\)](http://WoodturnersWorldwide) is holding a virtual symposium in January 27-30th, 2022. If you participated in the last symposium virtually in 2020, your surely will look forward to this next symposium. 40 Demonstrators from across the Country and Internationally. Around 80 hours of content from which you will be able to view the presentations for up to 30 days to watch it all after. Sign up at woodturnersworldwide.com for notifications and information on this highly recommended event. Early Bird Special price at \$79.



11717 Caminito Vantana • San Diego, CA 92131
858-395-0562 • airbrushingwood.com

Joe carries the full line of Grex Professional airbrush products including:

Airbrushes - Tritium pistol grip and Genesis XGi pencil grip
Compressors
Accessories
Private Stock acrylic paint



Joe carries all Grex Air Tools, featuring:

AOS 368 Random Orbital Sander
AG 368 Angle Grinder and Carving Tool



Learn more about the above products and see Joe's Gallery at Airbrushingwood.com. (highly recommended) along with his educational material on color/airbrushing and much more. Good Stuff!!

All club members will receive show discounting pricing on all products and an extra 5% on airbrush starter kits.

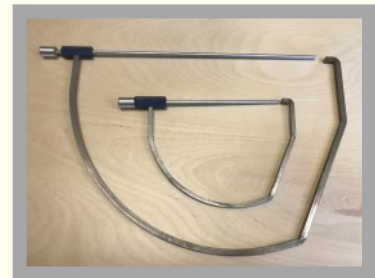
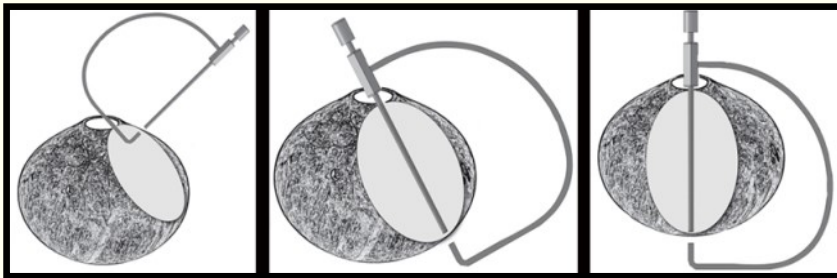
Hollow-Pro Tools™

Designed by professional woodturner **Mike Jackofsky** and manufactured in the USA by the *Hunter Tool Company*.

1) **The Hollow-Pro Rocket Tool:**

These tools feature a unique negative angle built into the tip. They have been specifically designed to use the Hunter carbide cutters; the negative angle makes the carbide less aggressive and easier to control. Hollow Pro Rocket tools are professional, fast and efficient hollowing tools for making hollow vessels up to about 7" high x about 7" diameter. These 8" tools have 3/8" shafts to allow hollowing through very small restricted openings. The tools use replaceable #1 size carbide cutters and are designed to fit into any large handle with a 3/8" or 1/2" opening. (Tip: place the screws from these handles on the side or top of the tools, so the bottom will slide smoothly on the tool rest).

The round shafts of these tools can be rotated slightly to make clean "shear" cuts and the bent tool is also very useful for undercutting the opening on larger hollow vessels. The kit comes with one straight and one bent tool and includes replaceable Hunter #1 carbide cutters for clean cuts and durability, and a Torx wrench for rotating and replacing the cutters as needed.



2) **The Hollow Pro Calipers** provide accurate measurements in crucial areas of hollow vessels and open bowls.

Hollow-Pro Calipers are precision made from steel and aluminum for maximum strength while maintaining a comfortable light weight. The small size will work for hollow forms up to about 8" in diameter and up to 6 1/4" deep. The larger size works for hollow forms up to about 18" in diameter and up to 11 3/4" deep.

For more info and pricing, email Mike at (info@mikejackofsky.com or Visit Mike's Web site: www.mikejackofsky.com.) for ordering and obtaining your Rocket and Caliper tools. You will be glad you did .



Mike Durlak, manager of the San Diego Rockler Store, is offering the San Diego Woodturners this exclusive discount coupon. Valid only at the San Diego location on Claremont Mesa Blvd, this coupon gives each SDWT member 20% off one item (with exclusions as noted).

The coupon (shown below) is valid for one use only per members HOUSEHOLD and the member must show their current SDWT membership card.

Mike is very supportive of our club and willing to continue the discount program as long as it is not abused.

Be sure and give Mike a big smile and hearty thanks when you redeem your coupon.

**** 20% OFF ****

ONE ITEM

SAN DIEGO WOODTURNER Member



Coupon Required for Discount, No Exceptions

EXPIRES 12/12/2021

Coupon may be used ONCE! Does not apply to previous purchases. Power tools excluded. Sale items excluded. Discounts may not be combined. Discount Restricted Items Excluded. Sale prices can not be adjusted to use coupon .(Showing current year SDWT Membership Card required). When in doubt, ask Mike.

*******Coupon WILL NOT be Honored past the Expiration date*******

*******ONE COUPON PER MEMBER HOUSEHOLD ONLY*******

Mentoring Program

Our mentoring program is one of the unique benefits of our club. Our mentors can help with basic to complex turning and teach safety along the way. This is a great way to start out or hone your skills with complex tasks taught by turners skilled in specific areas of turning. Our mentors are volunteers and are dedicated to sharing information on all facets of woodturning.

Rest assured however, that all of our mentors are easy to work with. Most often the mentor opens his/her shop to the applicant at a mutually agreed upon time and schedule.

A list of mentors and their specialties are listed within our Mentor Tab of our SDWT.org website (**go to About tab and pull down menu, go then to Mentors**). Phone numbers for the Mentor you have particular area of interest is listed in the (members only area of the web site).. Upon making contact, arrange a time and place. If you have any questions, email me at the below address..



Jeff Neff – Mentor Committee Chairman (MentorChairman@sdwt.org)

“Mentors do not give you a shortcut, but they streamline the process. They invariably had their own great mentors, giving them a richer and deeper knowledge of their field. Their ensuing years of experience taught them invaluable lessons and strategies for learning. Their knowledge and experience becomes yours; they can direct you from unnecessary side paths or errors. They observe you at work and provide real-time feedback, making your practice more time efficient. Their advice is tailored to your circumstances and your needs. Working closely with them, you absorb the essence of their creative spirit, which you can now adapt in your own way.” From the Book - *Mastery* by Robert Greene



2021 SDWT Board Members and Committees

SDWT BOARD MEMBERS

President

Brian Saunders pres@sdwt.org

Vice President

Karen Freitas vp@sdwt.org

Secretary

Don Wolfe secretary@sdwt.org

Treasurer

Geri Gabriel treasurer@sdwt.org

Members at Large

Paul Simpson

Jeff Neff

Sally Ault

Dave John

Chad LaVoi

Terry Sullivan

Jon Chernow

Roy Ulrich

Contact Information for Club Officers, Board and Committee members is available on the SDWT.org website within the Members Only Area. (Membership Directory) and above email addresses.



COMMITTEES

Newsletter

Dave John NewsletterEditor@sdwt.org

Audio/Visual

Mike Foreman, Andy Boyer

Ron Kaplan, Hal Gorss

DVD Librarian

Carolyn Jones

Raffle

Jeff Neff MentorChairman@sdwt.org

Del Mar Fair

Steve Frick

Programs/Classes

Karen Freitas

Sally Ault (Also AAW Liaison ProgramChair@sdwt.org)

Membership

Esther Assemat membership@sdwt.org

Wood Resources

Dan White (GotWood@sdwt.org),

Chad LaVoi

Refreshments

Steve Frick

Instant Gallery

Oskar Kirsten

Mentors

Jeff Neff

TAV

Paul Simpson TAVChair@sdwt.org

Sunshine Committee

Mavis Porter

Webmaster

Roy Ulrich webmaster@sdwt.org

The Last Page - "Cutoffs"

(Odds and Ends)

On the Lighterside...

*The SDWT Officers and Board Members along with our Committee members, wishing you and your family a very **Merry Christmas** and **Happy New Year!***

*It has been quite a busy schedule of activities and events (despite COVID that we are getting thru) this past year with SDWT and our **TAV** program. We look forward in 2022 for another year of various demonstrations, workshops, events, and opportunities to enhance our woodturning skills and craft.*



NOTTINGHAM ACCESS

For access to the Nottingham Arts Center contact Terry Sullivan via e-mail (go2tms2@gmail.com). A voice message may additionally be left at the number listed in the member directory. Include the day and time you wish to arrive as well as the purpose of your visit. You must have approval from Terry or his representative for access to the facility.

Do not enter the Nottingham facility or grounds without prior approval or without the project leader present.

San Diego Woodturners (SDWT)

A Nonprofit Corporation

A Chapter of the AAW

9984 Scripps Ranch Blvd #198

San Diego, CA 92131



Next Event:

A Holiday/Christmas Party

There will be No ZOOM Video Recording

11 December 2021:

10AM to 1PM @ Nottingham

(see details page 7)

